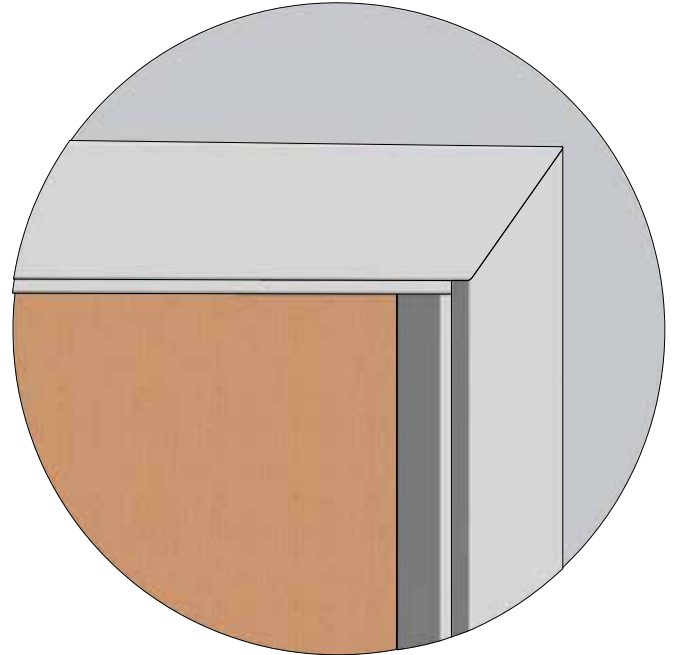
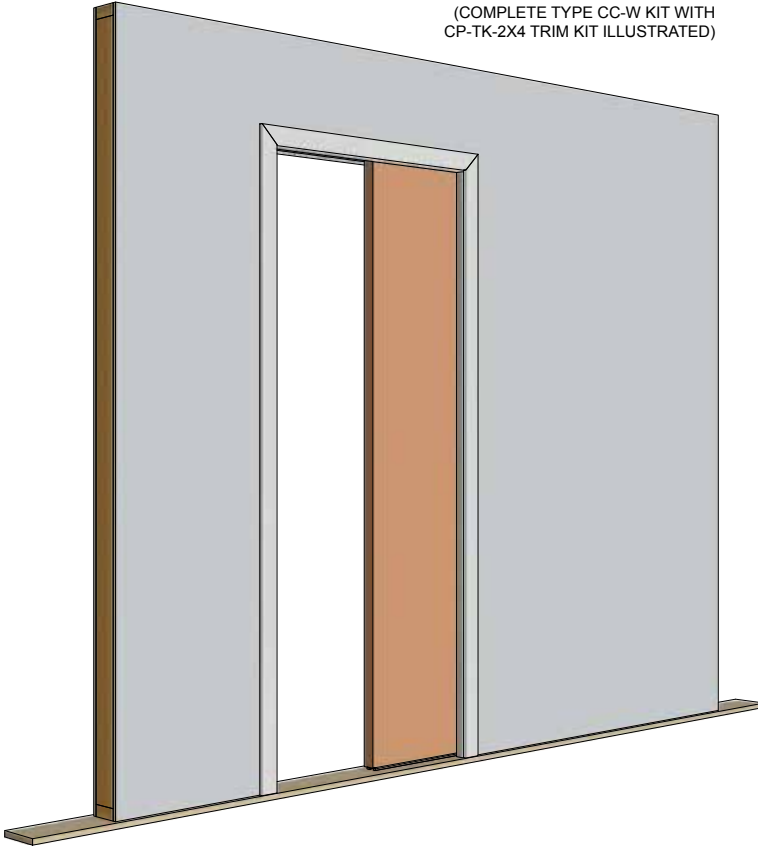


## CP-TK-2X4 POCKET TRIM KIT INSTRUCTION SHEET

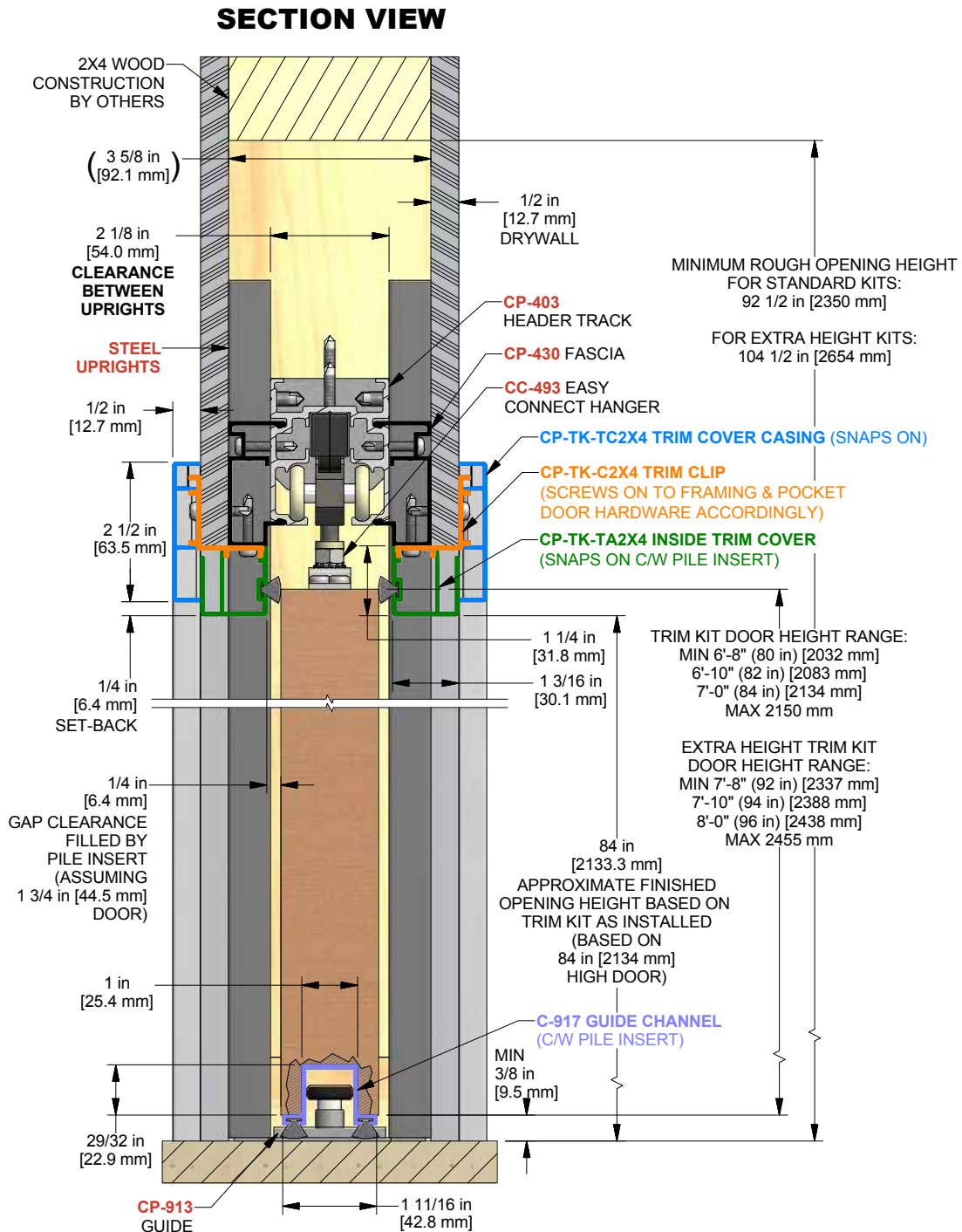
(COMPLETE TYPE CC-W KIT WITH  
CP-TK-2X4 TRIM KIT ILLUSTRATED)



### POCKET TRIM KIT

- POCKET TRIM KIT (**CP-TK**) SAVES ON INSTALLATION TIME, EASY TO INSTALL AND MAKES EASY TO REMOVE FOR POCKET DOOR MAINTENANCE VERSUS TRADITIONAL WOOD TRIM FINISHING
- INSTALLING THE **CP-TK** POCKET TRIM KIT WITH THE **TYPE CC-W** CATCH'N'CLOSE CROWDERFRAME POCKET DOOR KIT WILL ALLOW YOU TO INSTALL DOOR AFTER DRYWALL IS INSTALLED WHICH IS NOT POSSIBLE WITH TRADITIONAL POCKET DOOR KITS (NOTE, IT IS RECOMMENDED TO INSTALL DOOR FOR POSITIONING BEFORE DRYWALL AND THEN REMOVE IT PRIOR TO DRYWALL INSTALLATION IF DESIRED)
- **USE WITH 1/2 in [12.7 mm DRYWALL ONLY BY OTHERS]**
- **FOR USE IN 2X4 WALL CONSTRUCTION ONLY BY OTHERS**
- **FOR USE WITH 1 3/4 in [44.5 mm] THICK DOORS**
- **TO BE USED WITH TYPE CC-W CATCH'N'CLOSE CROWDERFRAME POCKET DOOR KITS ONLY**
- **CP-TK-C2X4** IS EXTRUDED ALUMINUM, 6061T6 ALLOY
- **CP-TK-TA2X4 & CP-TK-TC2X4** EXTRUSIONS ARE CLEAR ANODIZED
- **CP-TK-TA2X4** INSIDE TRIM COVERS AND **C-917** GUIDE CHANNEL ARE C/W PILE INSERT TO HELP CUT THE SOUND AND LIGHT TRANSFER THROUGH THE OPENING
- CAN BE PRIMED AND PAINTED ON SITE
- CUSTOM FINISHES ARE AVAILABLE, PLEASE CONTACT CUSTOMER SERVICE

# TYPE CC-W CATCH'N'CLOSE CROWDERFRAME POCKET DOOR KIT WITH CP-TK-2X4 POCKET TRIM KIT DIMENSION DETAILS (WITH C-917/CP-913 GUIDE SYSTEM)

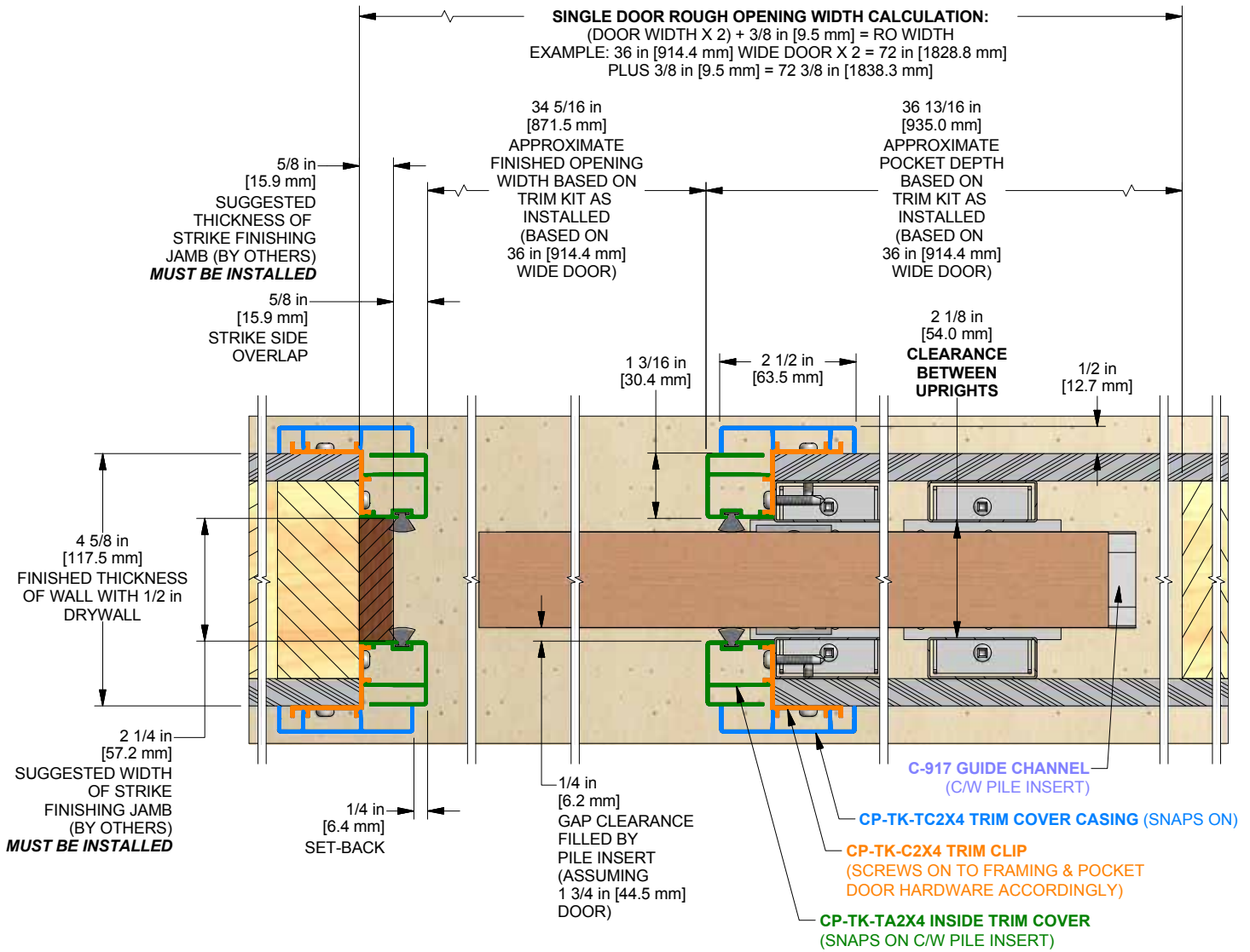


**NOTE:**  
FOR DOUBLE DOOR KITS USING THE CPD-CC-JOINER KIT, PLEASE USE THIS SECTION DETAIL FOR REFERENCE.

# TYPE CC-W CATCH'N'CLOSE CROWDERFRAME POCKET DOOR KIT WITH CP-TK-2X4 POCKET TRIM KIT DIMENSION DETAILS (CONT'D)

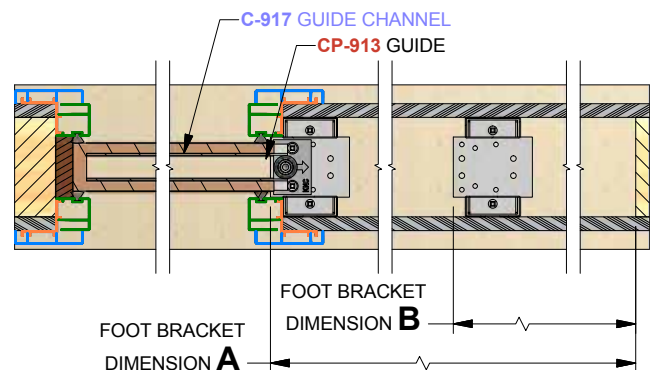
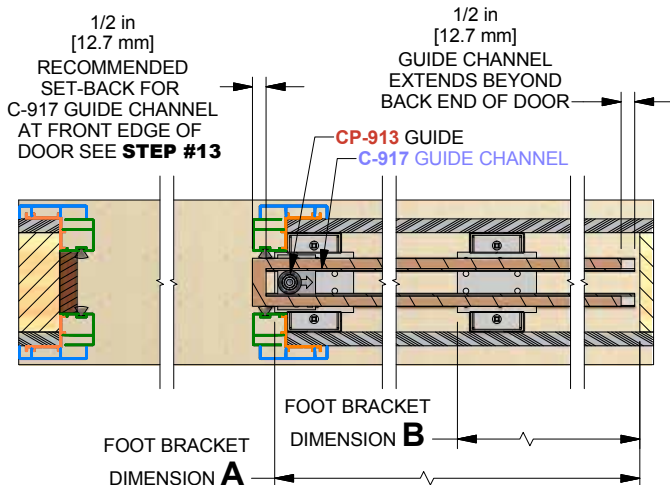
**NOTE:**  
FOR DOUBLE DOOR KITS USING THE CPD-CC-JOINER KIT, PLEASE REFER TO THE CPD-TK-2X4 INSTRUCTION SHEET FOR A PLAN VIEW OF THE FINISHING DIMENSION DETAILS USING THE CP-TK-2X4 POCKET TRIM KIT.

## PLAN VIEW



## PLAN VIEW (DOOR IN OPENED POSITION)

## PLAN VIEW (DOOR IN CLOSED POSITION)



# PARTS LIST FOR CP-TK-2X4 OR CP-TK-2X4-EXW4H8 POCKET TRIM KITS

## LEGEND:

(X) = QUANTITY OF ITEM SUPPLIED IN KITS FOR DOORS UP TO 36 in [914 mm] WIDE X 84 in [2134 mm] OR 2150mm HIGH

-EXW4H8 (X) = QUANTITY SUPPLIED IN EXTRA WIDTH & EXTRA HEIGHT KITS FOR DOORS  
FOR DOORS UP TO 48 in [1219 mm] WIDE X 96 in [2438 mm] OR 2455mm HIGH



### CP-TK-C2X4 CLIP X

#### (QUANTITY AND LENGTH OPTIONS LISTED BELOW)

FOR CP-TK-2X4 KITS FOR DOORS UP TO 36 in [914 mm] WIDE X 84 in [2134 mm] OR 2150mm HIGH:

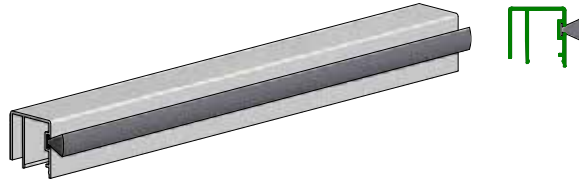
(4) PIECES X 84 in [2133.6 mm] C/W PRE-PUNCHED HOLES

(2) PIECES X 36 in [914.4 mm] C/W PRE-PUNCHED HOLES

FOR CP-TK-2X4-EXW4H8 KITS FOR DOORS UP TO 48 in [1219 mm] WIDE X 96 in [2438 mm] OR 2455mm HIGH:

(4) PIECES X 96 in [2438.4 mm] C/W PRE-PUNCHED HOLES

(2) PIECES X 48 in [1219.2 mm] C/W PRE-PUNCHED HOLES



### CP-TK-TA2X4 INSIDE TRIM COVER X

#### (QUANTITY AND LENGTH OPTIONS LISTED BELOW)

FOR CP-TK-2X4 KITS FOR DOORS UP TO 36 in [914 mm] WIDE X 84 in [2134 mm] OR 2150mm HIGH:

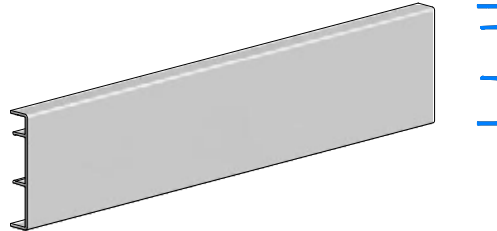
(4) PIECES X 86 in [2183.3 mm] C/W PILE INSERT

(2) PIECES X 38 in [965.2 mm] C/W PILE INSERT

FOR CP-TK-2X4-EXW4H8 KITS FOR DOORS UP TO 48 in [1219 mm] WIDE X 96 in [2438 mm] OR 2455mm HIGH:

(4) PIECES X 98 in [2489.2 mm] C/W PILE INSERT

(2) PIECES X 50 in [1270 mm] C/W PILE INSERT



### CP-TK-TC2X4 TRIM COVER CASING X

#### (QUANTITY AND LENGTH OPTIONS LISTED BELOW)

FOR CP-TK-2X4 KITS FOR DOORS UP TO 36 in [914 mm] WIDE X 84 in [2134 mm] OR 2150mm HIGH:

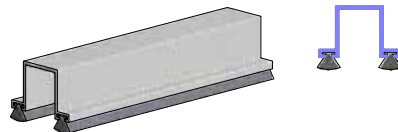
(4) PIECES X 88 in [2235.2 mm]

(2) PIECES X 43 in [1092.2 mm]

FOR CP-TK-2X4-EXW4H8 KITS FOR DOORS UP TO 48 in [1219 mm] WIDE X 96 in [2438 mm] OR 2455mm HIGH:

(4) PIECES X 100 in [2540.0 mm]

(2) PIECES X 55 in [1397.0 mm]



### C-917 GUIDE CHANNEL X

#### (QUANTITY AND LENGTH OPTIONS LISTED BELOW)

FOR CP-TK-2X4 KITS FOR DOORS UP TO 36 in [914 mm] WIDE X 84 in [2134 mm] OR 2150mm HIGH:

(1) PIECE X 36 in [914.4 mm] C/W PILE INSERT

FOR CP-TK-2X4-EXW4H8 KITS FOR DOORS UP TO 48 in [1219 mm] WIDE X 96 in [2438 mm] OR 2455mm HIGH:

(1) PIECE X 48 in [1219.2 mm] C/W PILE INSERT

# INSTALLATION INSTRUCTIONS FOR CP-TK-2X4 POCKET TRIM KIT

## STEPS #1 TO 8:

FOLLOW STEPS FROM TYPE CC-W SINGLE DOOR POCKET KIT INSTRUCTION SHEETS. (SAME FOR "NR" NARROW KITS)

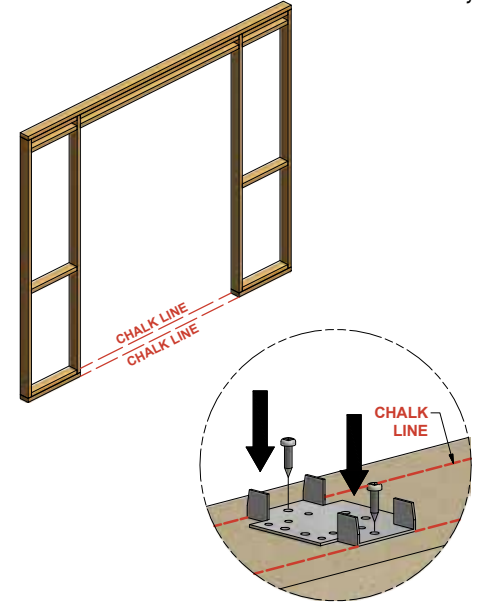
## STEP #TK-1:

USE A CHALK LINE AGAINST THE BOTTOM STUDS OF THE WALL TO MARK THE LINES OF THE OPENING ON BOTH SIDES. LOCATE AND SECURE THE CP-2X4 FOOT BRACKETS (2) OR (3) FOR EXTRA WIDTH KITS AS PER THE FOOT BRACKET LOCATION **CHART C** LISTED BELOW. SECURE THE FOOT BRACKETS WITH #8 X 3/4" PAN HEAD SCREWS (2 PER FOOT BRACKET). **NOTE: FOOT BRACKETS HAVE A FRONT EDGE AND THIS EDGE SHOULD FACE THE OPENING AS SHOWN IN THE ILLUSTRATIONS BELOW. FOOT BRACKETS ARE TO BE MOUNTED ON FINISHED FLOOR. IF FINISHED FLOOR IS NOT INSTALLED, PLEASE SHIM FOOT BRACKETS THE THICKNESS OF THE FINISHED FLOOR. FOOT BRACKET LOCATION DIMENSIONS ARE BASED USING THE CP-TK-2X4 POCKET TRIM KIT AS PER THE DIMENSION DETAILS FOUND ON THE PREVIOUS PAGES.**

(FOR DOUBLE DOOR KITS, PLEASE REFER TO STEP # TKD-1 IN THE CPD-TK-2X4 TRIM KIT FOR DOUBLE DOORS INSTRUCTION SHEET BEFORE PROCEEDING)

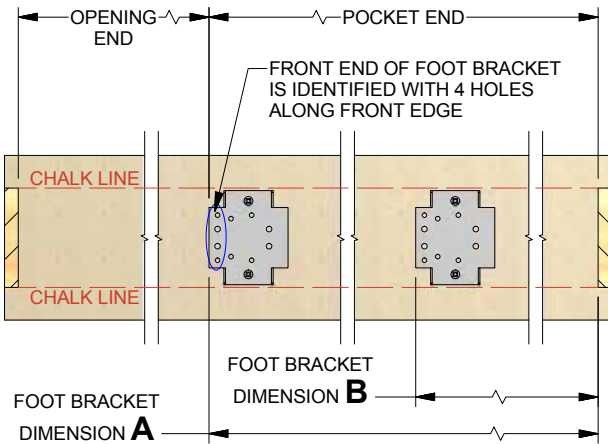
**CHART C: FOOT BRACKET LOCATION DIMENSIONS A, B, C**

DOOR WIDTH	DIMENSION A		DIMENSION B		DIMENSION C	
18 in (1'-6") [457 mm]	18 in [457 mm]	10 1/2 in [267 mm]	----	----	----	----
20 in (1'-8") [508 mm]	20 in [508 mm]	10 1/2 in [267 mm]	----	----	----	----
22 in (1'-10") [559 mm]	22 in [559 mm]	12 1/2 in [318 mm]	----	----	----	----
24 in (2'-0") [610 mm]	24 in [610 mm]	12 1/2 in [318 mm]	----	----	----	----
26 in (2'-2") [661 mm]	26 in [660 mm]	13 1/2 in [343 mm]	----	----	----	----
28 in (2'-4") [711 mm]	28 in [711 mm]	14 1/2 in [368 mm]	----	----	----	----
30 in (2'-6") [762 mm]	30 in [762 mm]	16 1/2 in [419 mm]	----	----	----	----
32 in (2'-8") [813 mm]	32 in [813 mm]	16 1/2 in [419 mm]	----	----	----	----
34 in (2'-10") [864 mm]	34 in [864 mm]	18 1/2 in [470 mm]	----	----	----	----
36 in (3'-0") [914 mm]	36 in [914 mm]	20 1/2 in [521 mm]	----	----	----	----
<b>BELOW APPLY TO -EXW4 (EXTRA WIDTH) CROWDERFRAME POCKET DOOR KITS</b>						
38 in (3'-2") [965 mm]	38 in [965 mm]	25 1/2 in [648 mm]	12 1/2 in [318 mm]	----	----	----
40 in (3'-4") [1016 mm]	40 in [1016 mm]	27 1/2 in [699 mm]	14 1/2 in [368 mm]	----	----	----
42 in (3'-6") [1067 mm]	42 in [1067 mm]	28 1/2 in [724 mm]	14 1/2 in [368 mm]	----	----	----
44 in (3'-8") [1118 mm]	44 in [1118 mm]	30 1/2 in [775 mm]	16 1/2 in [419 mm]	----	----	----
46 in (3'-10") [1169 mm]	46 in [1168 mm]	31 1/2 in [800 mm]	16 1/2 in [419 mm]	----	----	----
48 in (4'-0") [1219 mm]	48 in [1219 mm]	32 1/2 in [826 mm]	16 1/2 in [419 mm]	----	----	----



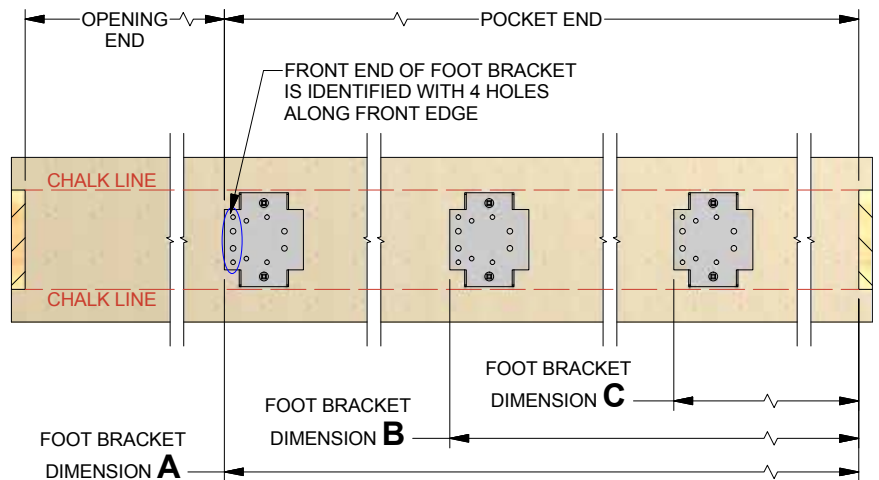
## STD PLAN VIEW

(FOR DOORS 26 in [660 mm] TO 36 in [914 mm] WIDE)



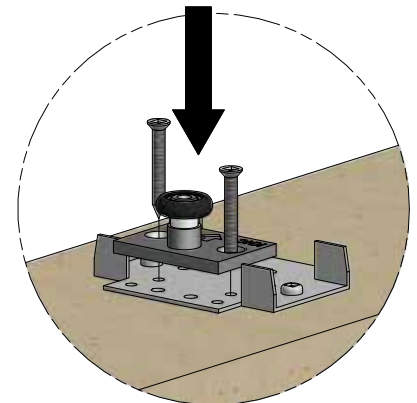
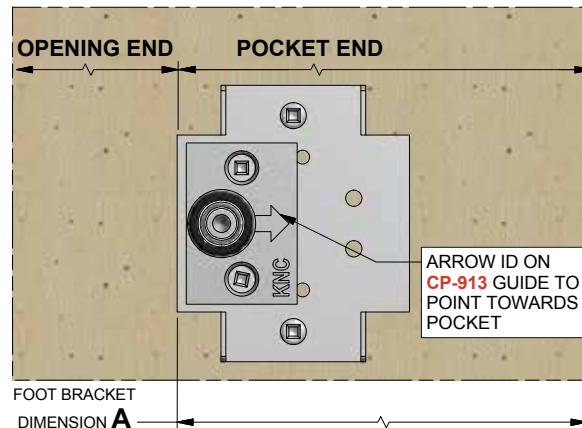
## -EXW4 (EXTRA WIDTH) PLAN VIEW

(FOR DOORS 37 in [940 mm] TO 48 in [1219 mm] WIDE)



## STEP #TK-2:

PLACE CP-913 GUIDE (1) ON FOOT BRACKET CLOSEST TO THE OPENING END AND SECURE WITH #10 X 1-3/4" FLATHEAD SCREWS (2). **NOTE: ENSURE THE ARROW ID ON THE CP-913 BASE IS FACING TOWARDS THE POCKET AS SHOWN TO THE RIGHT.**

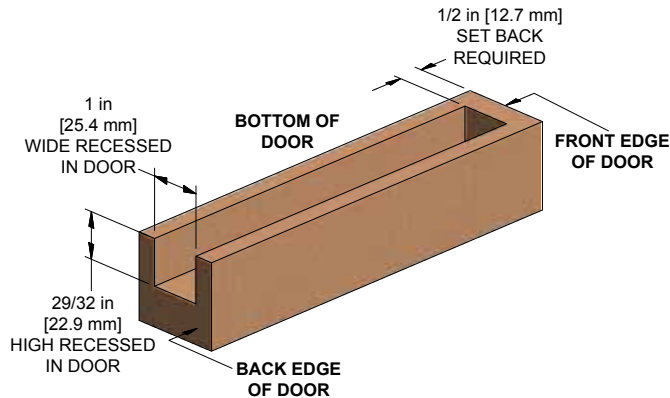


**STEPS #11, 12 & 14:**

FOLLOW STEPS FROM TYPE CC-W SINGLE DOOR POCKET KIT INSTRUCTION SHEETS. (SAME FOR "NR" NARROW KITS).

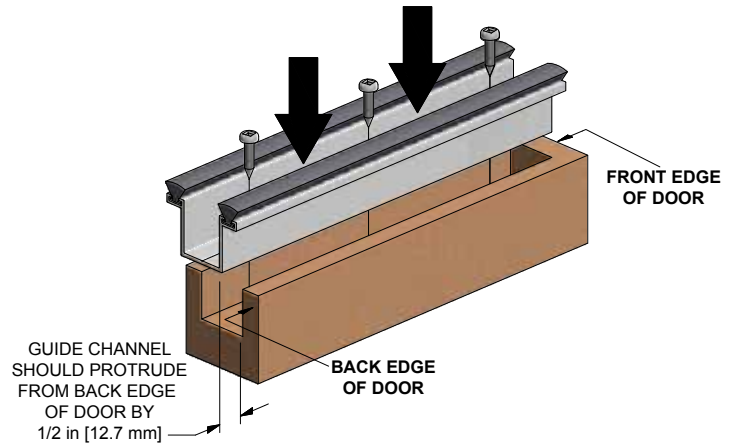
**STEP #TK-3:**

PREPARE C-917 GUIDE CHANNEL SLOT IN THE BOTTOM OF THE DOOR 1 in [25.4 mm] WIDE IN CENTER OF DOOR, AND 29/32 in [23 mm] DEEP AND SET BACK 1/2 in [12.7 mm] FROM THE FRONT EDGE OF THE DOOR. IT IS RECOMMENDED TO MAKE THE SLOT AS ACCURATE AS POSSIBLE FOR SECURE FIT AND NEAT APPEARANCE. SEE BELOW:



**STEP #TK-4:**

CUT C-917 ALUMINUM GUIDE CHANNEL TO CORRECT LENGTH AS REQUIRED. DRILL HOLES IN C-917 GUIDE CHANNEL, AND PRE-DRILL HOLES IN DOOR. LOCATE C-917 GUIDE CHANNEL IN SLOT AND SCREW CHANNEL INTO PLACE WITH #8 X 3/4" PAN HEAD SCREWS (4 SCREWS ARE PROVIDED IN TYPE CC-W CROWDERFRAME POCKET DOOR KIT).



**STEPS #16 TO 32:**

FOLLOW STEPS FROM TYPE CC-W SINGLE DOOR POCKET KIT INSTRUCTION SHEETS. (FOR "NR" NARROW KITS FOLLOW STEPS 16 TO 27).

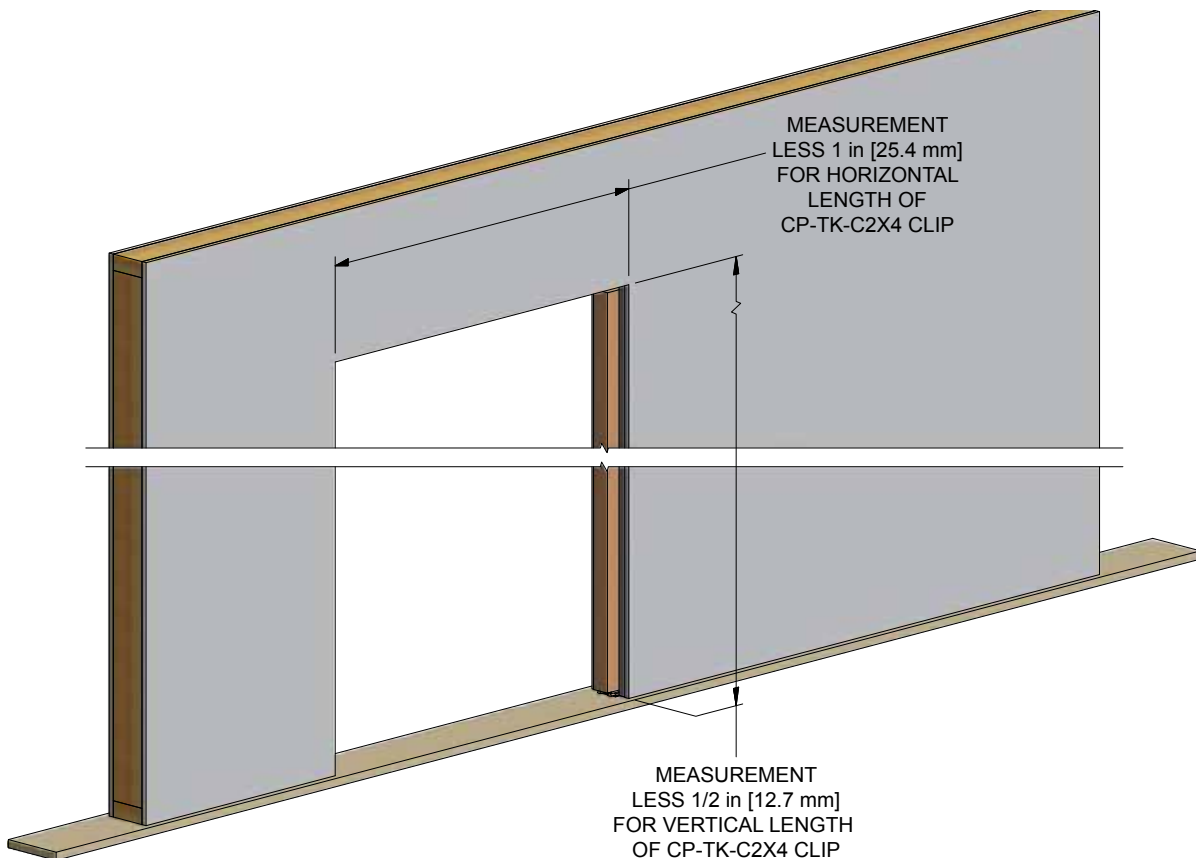
**NOTE: FOR STEPS THAT INVOLVE LOCATING THE FINAL POSITION OF THE DOOR, ENSURE THE TRIM KIT DETAILS ARE TAKEN INTO CONSIDERATION AS PER THE DIMENSION DETAILS ON THE PREVIOUS PAGES. IF NOT, THE DOOR MAY NOT OPEN AND CLOSE PROPERLY ONCE THE TRIM KIT IS INSTALLED.**

**STEP #TK-5:**

INSTALL DRYWALL ACCORDINGLY. **NOTE: AT THIS POINT, BEFORE DRYWALL IS INSTALLED, IF DESIRED, DOOR CAN BE REMOVED FROM POCKET BY DISENGAGING THE HANGER FROM THE TOP PLATES ON THE DOOR AND CAREFULLY REMOVE DOOR AND STORE IN A SAFE PLACE UNTIL DRYWALL IS COMPLETE. THIS IS INSTALLER/END USER'S PREFERENCE AS THE DOOR CAN REMAIN IN THE POCKET DURING THIS STEP.**

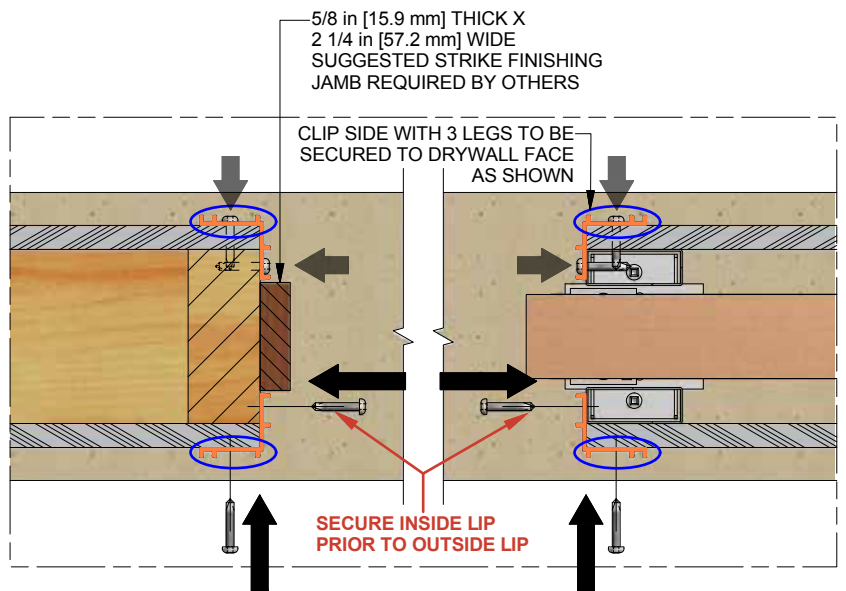
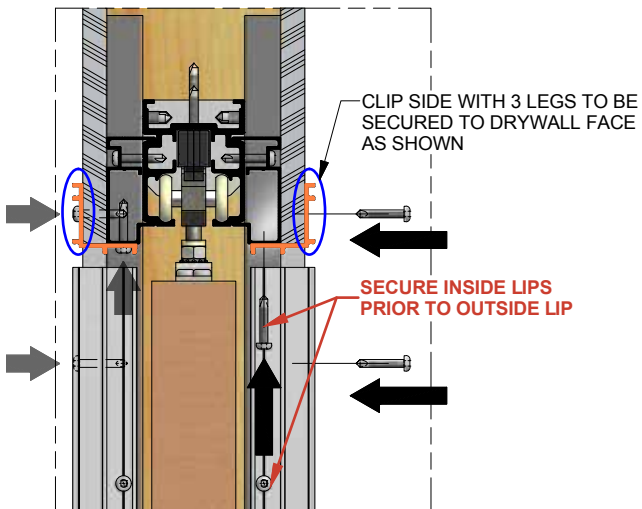
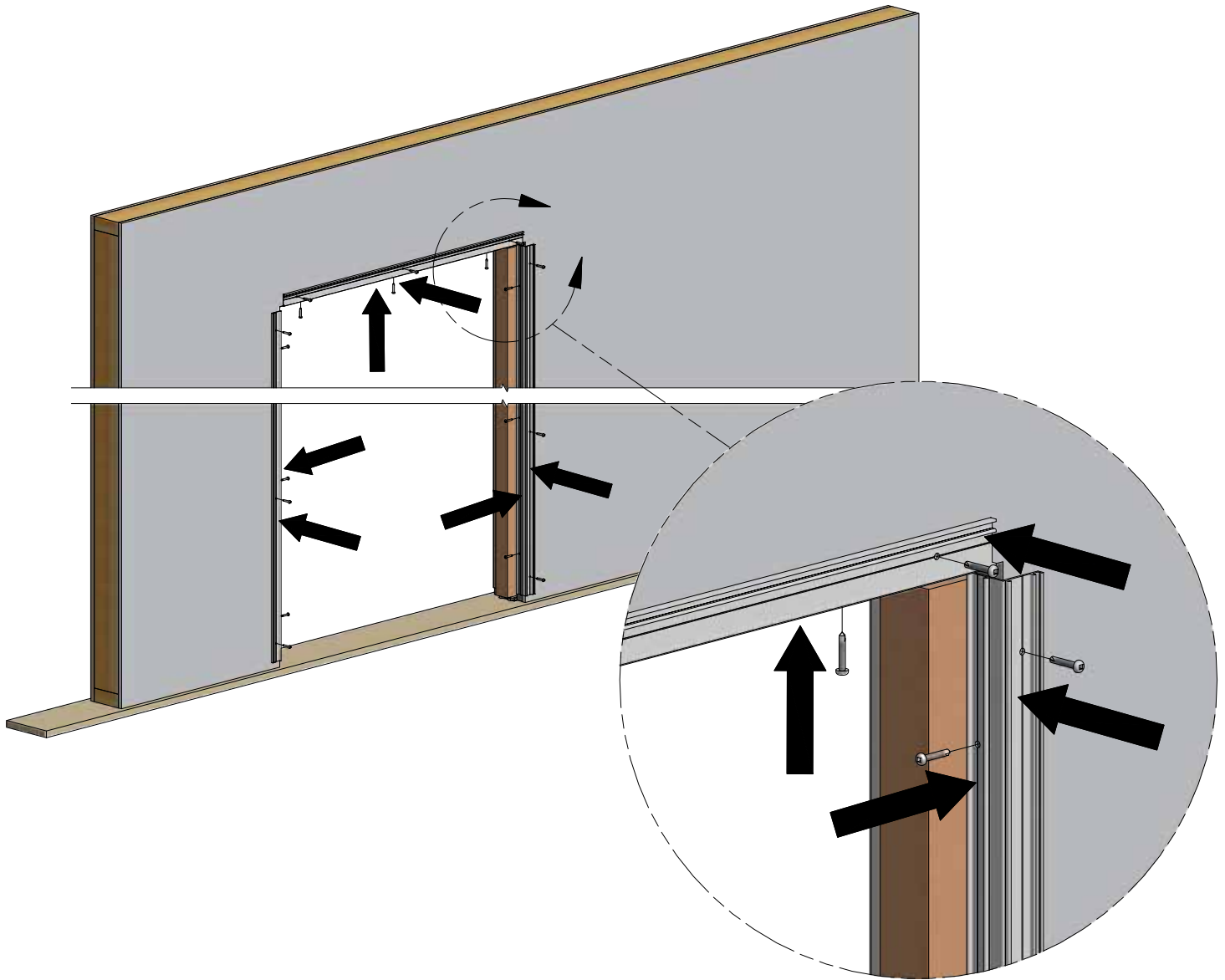
**STEP #TK-6:**

MEASURE THE OPENING FROM DRYWALL TO DRYWALL AND FLOOR TO TOP DRYWALL AS SHOWN BELOW. CUT THE CP-TK-C2X4 CLIPS TO SIZE IF REQUIRED. TWO (2) EQUAL HORIZONTAL LENGTHS AND FOUR (4) EQUAL VERTICAL LENGTHS REQUIRED.



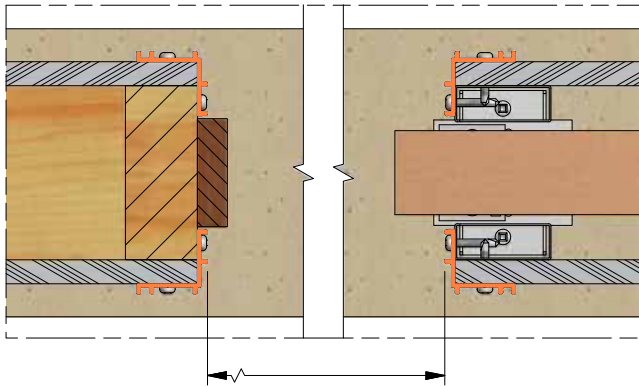
**STEP #TK-7:**

INSTALL THE SIX (6) PIECES OF CP-TK-C2X4 CLIPS CUT TO SIZE IN THE PREVIOUS STEP WITH #8 X 1" SELF DRILLING SCREWS (SUPPLIED) AS SHOWN BELOW. **NOTE: ORIENTATION OF THE CLIPS ARE CRITICAL FOR THE COVERS TO BE INSTALLED CORRECTLY. SEE BELOW.**

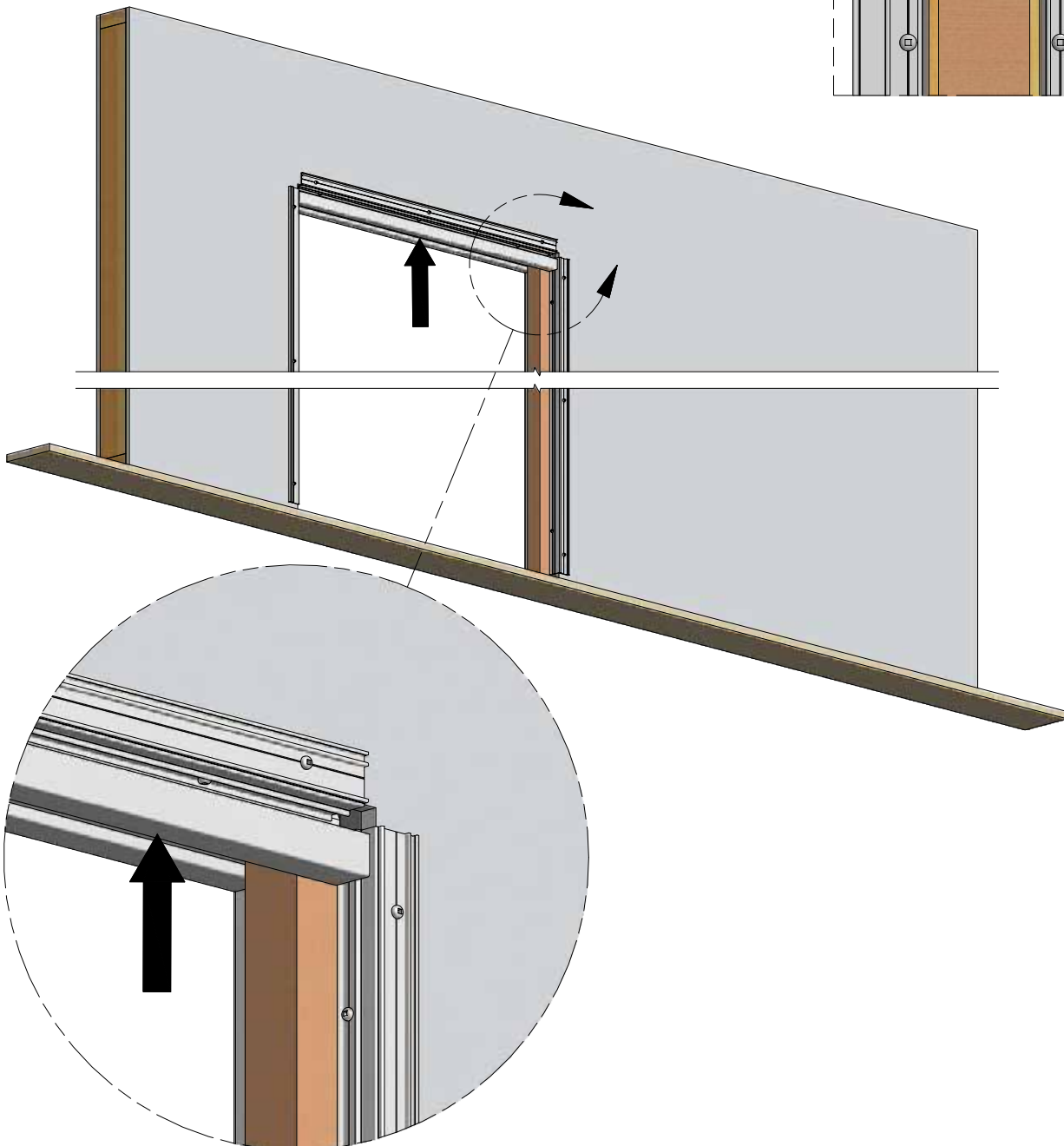
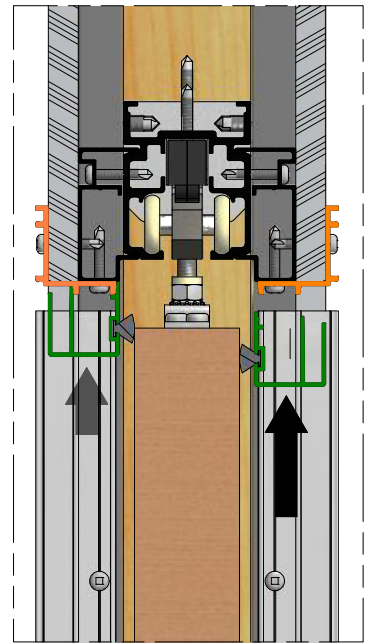


**STEP #TK-8:**

MEASURE AND CUT TWO (2) HORIZONTAL LENGTHS FOR THE CP-TP-TA2X4 INSIDE TRIM COVERS AS PER THE DETAILS BELOW. SNAP THE COVERS INTO PLACE ONTO THE HORIZONTAL CLIPS PREVIOUSLY INSTALLED. SEE ILLUSTRATIONS BELOW FOR ASSISTANCE.



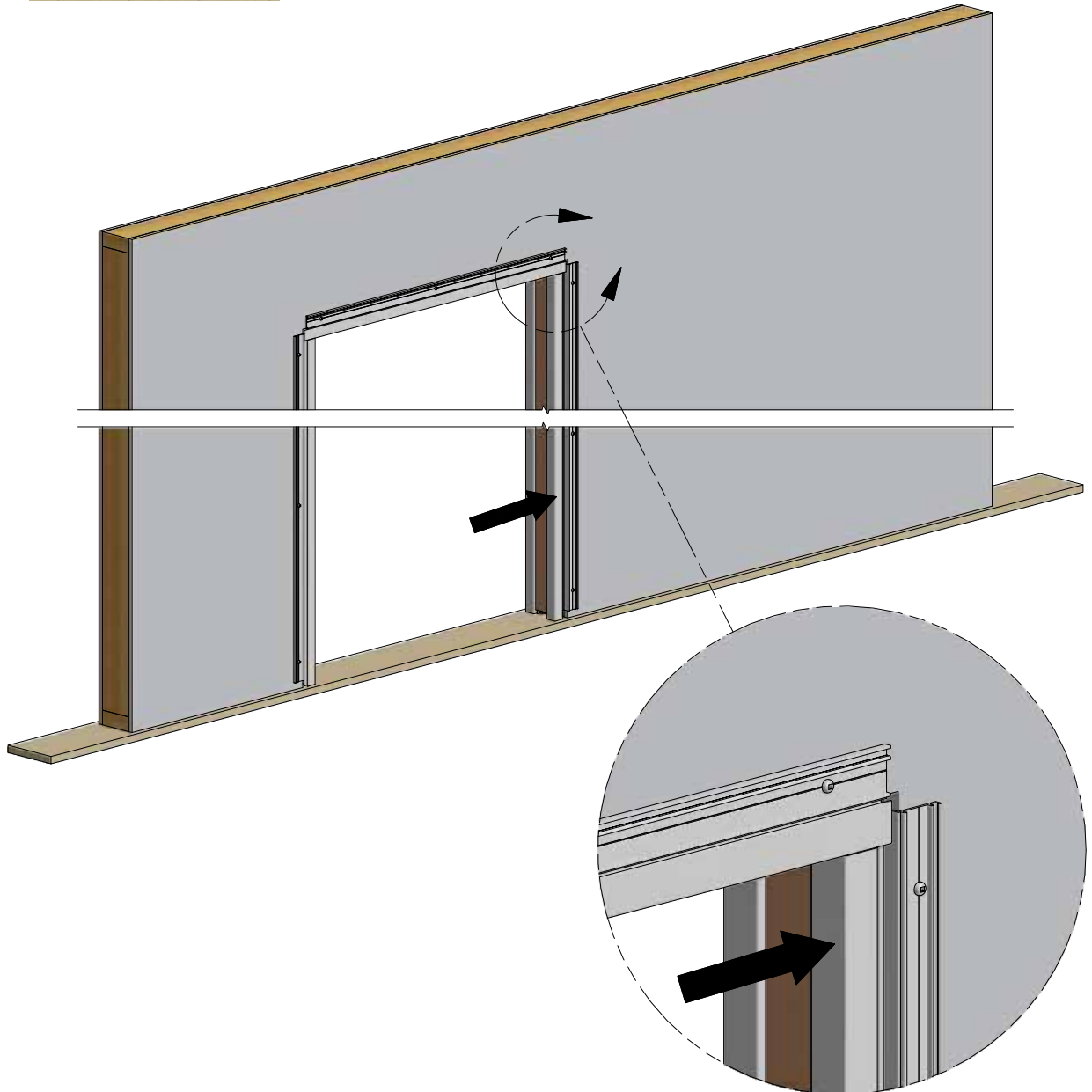
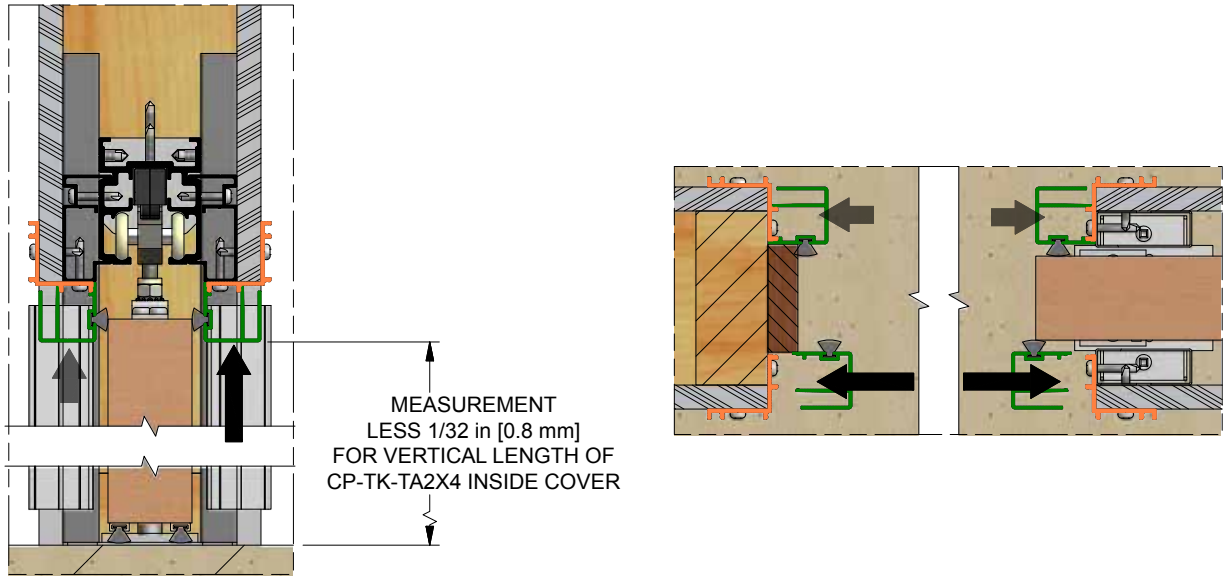
MEASUREMENT  
LESS 1/8 in [3.2 mm]  
BETWEEN CLIPS FOR  
HORIZONTAL LENGTH OF  
CP-TK-TA2X4 INSIDE COVER





**STEP #TK-9:**

MEASURE AND CUT FOUR (4) VERTICAL LENGTHS FOR THE CP-TP-TA2X4 INSIDE TRIM COVERS AS PER THE DETAILS BELOW. SNAP THE COVERS INTO PLACE ONTO THE VERTICAL CLIPS PREVIOUSLY INSTALLED. SEE ILLUSTRATIONS BELOW FOR ASSISTANCE.



**STEP #TK-10:**

MEASURE AND CUT TWO (2) HORIZONTAL LENGTHS AND FOUR (4) VERTICAL LENGTHS FOR THE CP-TP-TC2X4 TRIM COVER CASINGS AS PER THE DETAILS BELOW. SNAP THE COVERS INTO PLACE ONTO CLIPS PREVIOUSLY INSTALLED. SEE ILLUSTRATIONS BELOW FOR ASSISTANCE. FOR A NEAT APPEARANCE IT IS RECOMMENDED TO MITRE THE CORNERS AS SHOWN BELOW HOWEVER THE CLIPS CAN BE INSTALLED WITH SQUARE ENDS AS WELL. IF USING SQUARE EDGES, THE VERTICAL LENGTHS WOULD BE TO THE TOP OF THE HORIZONTAL TRIM COVER CASINGS AND THE HORIZONTAL LENGTHS WOULD BE INSTALLED IN BETWEEN THE VERTICAL LENGTHS.

